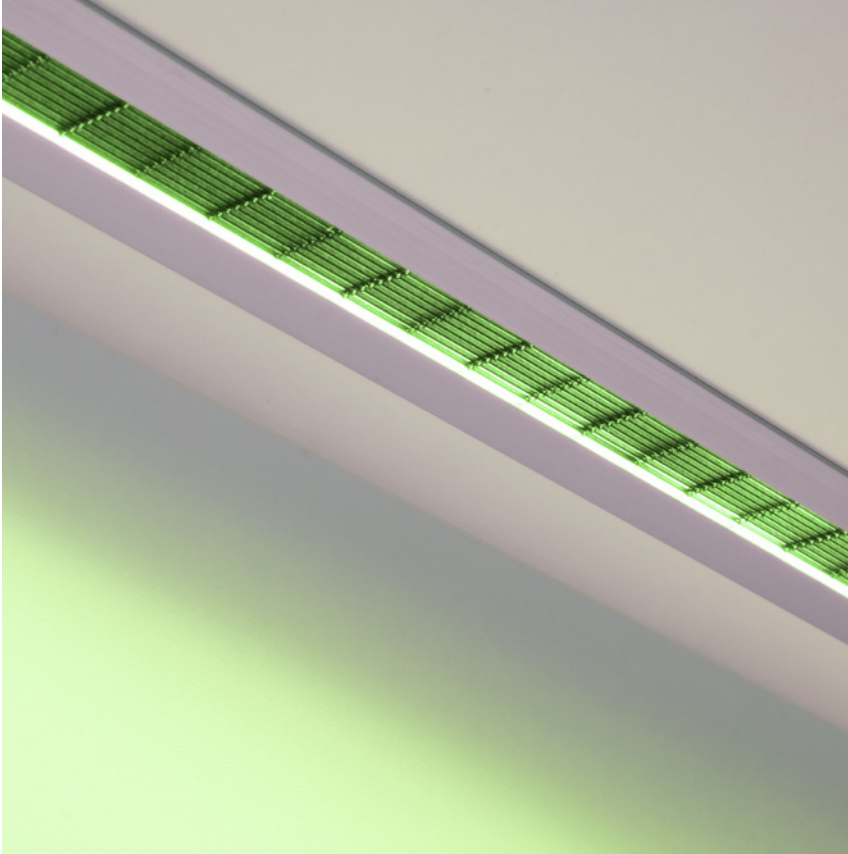


Linear

# MOMO-R RGBW Fixture Guide

# KKDÖ

Indoor/Outdoor | Recessed | RGBW output

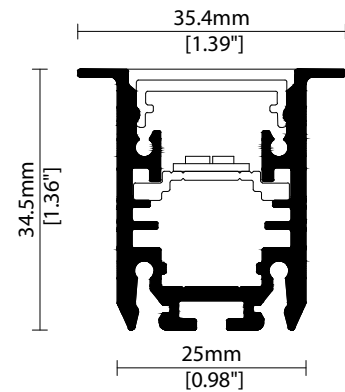


## Key applications

- ✓ Bathrooms
- ✓ Ceiling
- ✓ Direct lighting
- ✓ Downlighting
- ✓ Exterior
- ✓ Interior
- ✓ Special effect
- ✓ Wet area

## Key features

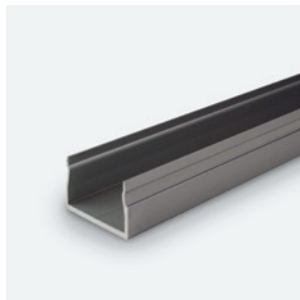
- ✓ Custom lengths
- ✓ Constant Voltage (CV)
- ✓ Diffusion: homogenous
- ✓ Direct view
- ✓ Extensive CCT range
- ✓ Glare control options
- ✓ IP44 moisture resistant
- ✓ IP67 waterproof
- ✓ LEDmix RGBW



## MOUNTING METHODS



KKSB-01 Spring bracket



KKCR-01-1000 Cable raceway (1000mm)  
KKCR-01-2000 Cable raceway (2000mm)  
KKCR-01-3000 Cable raceway (3000mm)

Linear

# MOMO-R RGBW

## Specification sheet



<b>Dimensions</b>	H34.5/W35.4/L160-2035mm (H1.36/W1.39/L6.30-80.12in)
<b>PCB Cut-point</b>	62.5mm increment/2000mm max (2.46in increment/78.74in max)
<b>LED Pitch</b>	10.4mm-192LED/m (0.41in - 59LED/ft)
<b>Chip</b>	RGBW LEDmix
<b>Cover/Optics</b>	Clear (100°)/Diffused (95°)/Clear + Micro louvre
<b>CCT</b>	<b>s-line:</b> White: 1900K/2100K/2300K/2500K/2700K/3000K/3500K/4000K/5000K/ <b>RGB:</b> Red 620-625nm/Blue 455-460nm/Green 520-525nm <b>k-line:</b> White: 1900K/2100K/2300K/2500K/2700K/3000K/3500K/4000K/5000K <b>RGB:</b> Red 617-627nm/Blue 464-474nm/Green 515-525nm
<b>LED binning</b>	<b>s-line:</b> White: 2.5-step MacAdam ellipse/RGB: 5nm tolerance <b>k-line:</b> White: 3-step MacAdam ellipse/RGB: 10nm tolerance
<b>CRI</b>	≥ 90 (white only)
<b>Lifetime</b>	50,000 hours @ 25°C (50,000 hours @ 77°F)
<b>Operating temp</b>	T <sub>a</sub> = -25 to 50°C (T <sub>c</sub> max = 78.9°C) T <sub>a</sub> = -13 to 122°F (T <sub>c</sub> max = 174°F)
<b>IP Rating</b>	IP44/67
<b>Finish</b>	Silver anodised
<b>Mounting</b>	Recessed mounting via spring clip/Cable race way
<b>Power feed</b>	Sheathed hardwire tails or male/female connectors
<b>Control</b>	0-10V/1-10V/DMX/DALI



### LED Grading Key

#### Exclusive Grade

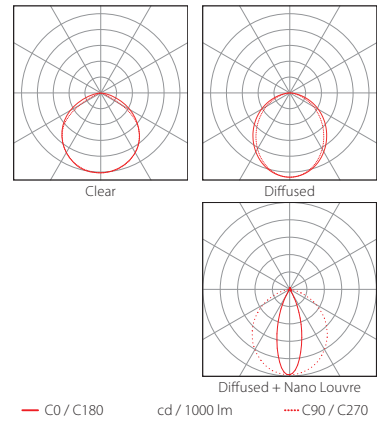
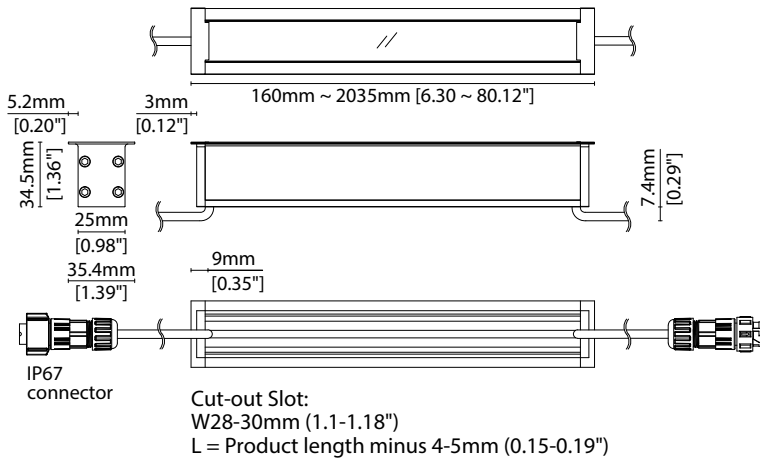
<b>s</b> s-line*	*KKDC tuned CCT range
2-step CCT range	

#### Base Grade

<b>k</b> k-line	3-step commercial range Energy Star CCTs
-----------------	---

Power consumption	Supply voltage	Supply current
20W/m (6.10W/ft)	24V DC	0.83A/m (0.25A/ft)

	Clear	Clear + Micro Louvre	Diffused Cover
<b>s-line</b>	973lm/m (297lm/ft) 48.7lm/W	283lm/m (86lm/ft) 14.2lm/W	435lm/m (132lm/ft) 21.7lm/W
<b>k-line</b>	918lm/m (280lm/ft) 45.9lm/W	267lm/m (81lm/ft) 13.4lm/W	410lm/m (125lm/ft) 20.5lm/W



Data derived from independent UKAS / IESNA LM-79-08 accredited testing of production samples.

### FIXTURE

Model	Finish	Cover/Lens <sup>1</sup>	Grade <sup>2</sup>	LED	Colour (CCT)	Length Availability <sup>3</sup>	IP	Cable Length	Power Feed <sup>4</sup>	Input																													
MOMO-R	OR	Silver Anodised	SA	Clear	B	s	R201	R201	RGB+1900K	19	m	160-2035mm 62.5mm increments	IP44	44	300mm/ 11.81"	0300	Single ø5.5mm sheath tail	S00E	DC	g																			
					K																k	21	21	IP67 <sup>6</sup>	67	Double ø5.5mm sheath tail	D00E												
					C																							23	23	i	6.30-80.12in 2.46in increments	Single ø5.5mm sheath IP67 Male Connector	S67F						
																																		25	25	25	(Specify length code OR total run length)	Double ø5.5mm sheath IP67 Connector	D67F
					30																							30	30										
					35																							35	35										
					40																							40	40										
					50																							50	50										

<sup>1</sup> Refer to **Cover/Lens Options** on **Options** pages    <sup>2</sup> Refer to **LED Grading Key** on **Specification sheet** page    <sup>3</sup> Refer to **Length Availability List** or enter total run length instead of length code

<sup>4</sup> Refer to **Power Feed Options** on **Options** pages    <sup>5</sup> LEDmix RGBW requires white colour choice

<sup>6</sup> Due to the clear, flush potted polyurethane top layer on IP67 MOMO-R a colour shift of +/-20K should be expected

### Code Example:

OR	-	SA	-	C	-	s	-	R201	-	RGBW	-	m	-	525	-	67	-	0300	-	D67F	-	g
MOMO-R		Silver Anodised		Diffused				R201		RGBW		525mm		IP67		300mm/11.81"		0300		Double ø5.5mm sheath IP67 Connector		DC 24V

### ACCESSORIES

#### Mounting Accessories

KKSB-01	Spring bracket
KKCR-01-1000	1000mm/39.37" Cable Raceway
KKCR-01-2000	2000mm/78.74" Cable Raceway
KKCR-01-3000	3000mm/118.11" Cable Raceway

\* Refer to **Mounting accessories** on **Accessories** pages

#### Connection Accessories

CN67-5P-0300	IP67 5 PIN male & female 300mm/11.81" pair
CN67-5P-1000	IP67 5 PIN male & female 1000mm/39.37" pair
CN67-5P-3000	IP67 5 PIN male & female 3000mm/118.11" pair

\* Refer to **Power feed** on **Accessories** pages

#### Exterior Junction Boxes

KKJB-07	IP67 Slim J-Box
KKJB-07R	Potting Resin for IP67 Slim J-Box

\* Refer to **Exterior Junction Boxes** on **Accessories** pages

#### PSU/Driver

0-10V/1-10V/DALI/DMX

\* Refer to **Driver/PSU Options** page for details or provide requirement and KKDC to offer the suitable option

### LED ENGINE VARIANTS (LED STRIP TYPE)

Colour	LED	Lumen/m	Lumen/ft	W/m	W/ft	Spec Doc	Length	Increment
Single CCT	R007	563	172	7	2.13	MOMO-R R007	108-2025mm (4.25-79.72in)	41.7mm (1.64in)
	R014	1152	351	14	4.27	MOMO-R R014	108-2025mm (4.25-79.72in)	41.7mm (1.64in)
	R020	1632	498	20	6.10	MOMO-R R020	108-2025mm (4.25-79.72in)	41.7mm (1.64in)
	R030	2309	704	30	9.14	MOMO-R R030	108-2025mm (4.25-79.72in)	41.7mm (1.64in)
	A040	3668	1118	40	12.19	MOMO-R A040	102-1525mm (4.01-60.03in)	38.46mm (1.51in)
	Warm Dim/Dynamic White	R207	1282	391	16	4.88	MOMO-R R207	108-2025mm (4.25-79.72in)
RGB	S01	Red 125	Red 38	15.6	4.75	MOMO-R RGB	108-2025mm (4.25-79.72in)	83.3mm (3.28in)
		Green 266	Green 81					
		Blue 42	Blue 13					
		RGB 383	RGB 117					
<b>RGBW</b>	<b>R201</b>	<b>973</b>	<b>297</b>	<b>20</b>	<b>6.1</b>	<b>MOMO-R RGBW</b>	<b>160-2035mm (6.30-80.12in)</b>	<b>62.5mm (2.46in)</b>

\* Performance data: s-line, clear cover, 3000K+RGB

# MOMO-R RGBW

## Length Availability List

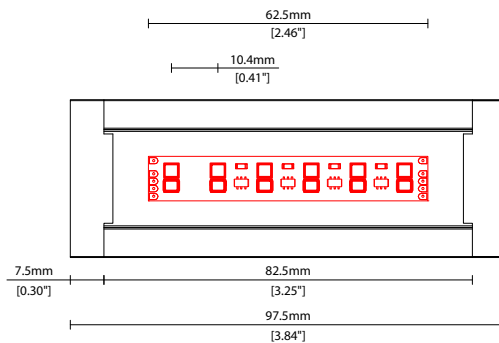


Length Code		Fixture Length <sup>1</sup>		LED Strip <sup>2</sup>		End Cap Dimension <sup>3</sup>		Wattage (W)	Output (lm)
Metric	Imperial(US)	Metric	Imperial(US)	Metric	Imperial(US)	Metric	Imperial(US)		3000K (Test Data)
m0160	i0006	160mm	6.30in	125mm	4.92in	15mm	0.59in	2.50	115
m0223	i0009	223mm	8.76in	188mm	7.38in	15mm	0.59in	3.75	172
m0285	i0011	285mm	11.22in	250mm	9.84in	15mm	0.59in	5.00	230
m0348	i0014	348mm	13.68in	313mm	12.30in	15mm	0.59in	6.25	287
m0410	i0016	410mm	16.14in	375mm	14.76in	15mm	0.59in	7.50	344
m0473	i0019	473mm	18.60in	438mm	17.22in	15mm	0.59in	8.75	402
m0535	i0021	535mm	21.06in	500mm	19.69in	15mm	0.59in	10.00	459
m0598	i0024	598mm	23.52in	563mm	22.15in	15mm	0.59in	11.25	516
m0660	i0026	660mm	25.98in	625mm	24.61in	15mm	0.59in	12.50	574
m0723	i0028	723mm	28.44in	688mm	27.07in	15mm	0.59in	13.75	631
m0785	i0031	785mm	30.91in	750mm	29.53in	15mm	0.59in	15.00	689
m0848	i0033	848mm	33.37in	813mm	31.99in	15mm	0.59in	16.25	746
m0910	i0036	910mm	35.83in	875mm	34.45in	15mm	0.59in	17.50	803
m0973	i0038	973mm	38.29in	938mm	36.91in	15mm	0.59in	18.75	861
m1035	i0041	1035mm	40.75in	1000mm	39.37in	15mm	0.59in	20.00	918
m1098	i0043	1098mm	43.21in	1063mm	41.83in	15mm	0.59in	21.25	975
m1160	i0046	1160mm	45.67in	1125mm	44.29in	15mm	0.59in	22.50	1033
m1223	i0048	1223mm	48.13in	1188mm	46.75in	15mm	0.59in	23.75	1090
m1285	i0051	1285mm	50.59in	1250mm	49.21in	15mm	0.59in	25.00	1148
m1348	i0053	1348mm	53.05in	1313mm	51.67in	15mm	0.59in	26.25	1205
m1410	i0056	1410mm	55.51in	1375mm	54.13in	15mm	0.59in	27.50	1262
m1473	i0058	1473mm	57.97in	1438mm	56.59in	15mm	0.59in	28.75	1320
m1535	i0060	1535mm	60.43in	1500mm	59.06in	15mm	0.59in	30.00	1377
m1598	i0063	1598mm	62.89in	1563mm	61.52in	15mm	0.59in	31.25	1434
m1660	i0065	1660mm	65.35in	1625mm	63.98in	15mm	0.59in	32.50	1492
m1723	i0068	1723mm	67.81in	1688mm	66.44in	15mm	0.59in	33.75	1549
m1785	i0070	1785mm	70.28in	1750mm	68.90in	15mm	0.59in	35.00	1607
m1848	i0073	1848mm	72.74in	1813mm	71.36in	15mm	0.59in	36.25	1664
m1910	i0075	1910mm	75.20in	1875mm	73.82in	15mm	0.59in	37.50	1721
m1973	i0078	1973mm	77.66in	1938mm	76.28in	15mm	0.59in	38.75	1779
m2035	i0080	2035mm	80.12in	2000mm	78.74in	15mm	0.59in	40.00	1836

<sup>1</sup> Actual total overall length of light fixture (LED strip + end caps + void/wire hole)

<sup>2</sup> Actual length of PCB strip

<sup>3</sup> Actual length of 2x end caps



**CUT-OUT SLOT:**  
**W28-30mm (1.1-1.18")**  
**L = Product length minus 4-5mm (0.15-0.19")**

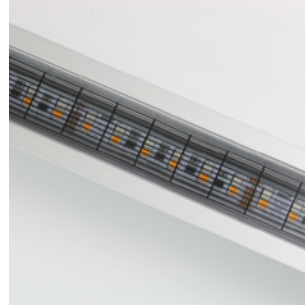
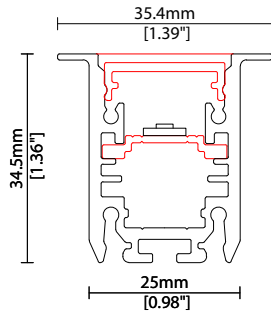
## COVER/LENS OPTIONS

\* Options are an integral part of the fixture ordering codes. Please refer to **Code Table** pages.



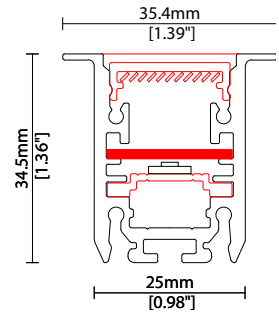
**B** Clear Cover

W25.0/H34.5mm (W0.98/H1.36")



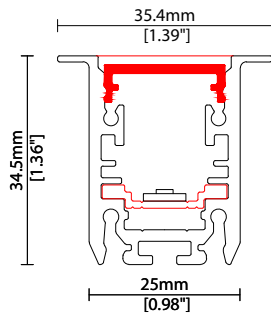
**K** Clear Cover + Micro Louvre

W25.0/H34.5mm (W0.98/H1.36")



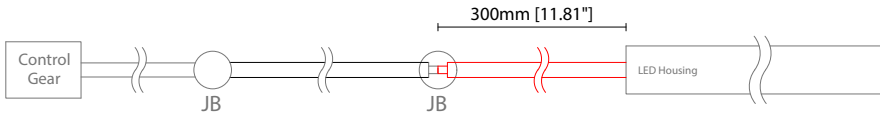
**C** Diffused

W25.0/H34.5mm (W0.98/H1.36")

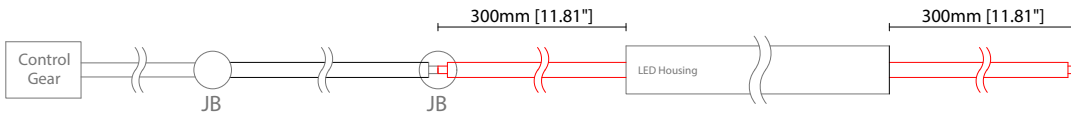


### POWER FEED OPTIONS

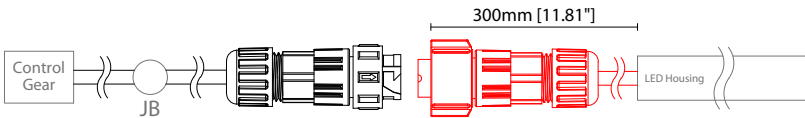
0300 S00E 300mm (11.81") Single Ø5.5mm sheath tail



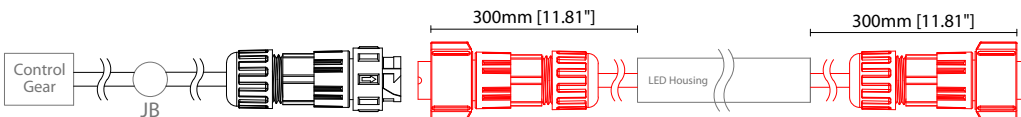
0300 D00E 300mm (11.81") Double Ø5.5mm sheath tail



0300 S67F 300mm (11.81") Single Ø5.5mm sheath IP67 connector



0300 D67F 300mm (11.81") Double Ø5.5mm sheath IP67 connector

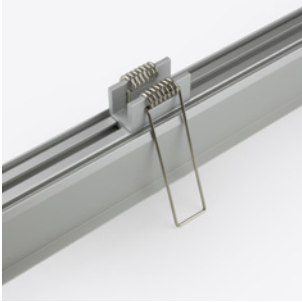


#### Key

Control Gear	Power supply, sub-controllers & control systems
JB	Junction box / cable connection

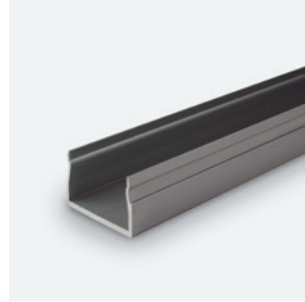
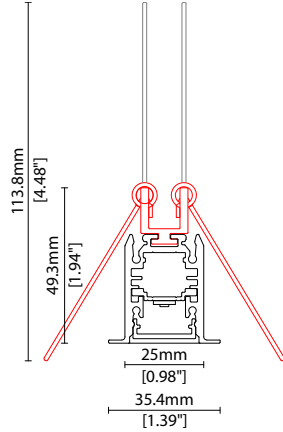
### MOUNTING ACCESSORIES

Note: Accessories are to be ordered separately with corresponding code shown below.



#### KKSB-01

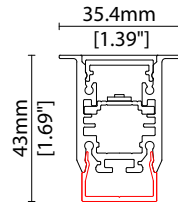
Spring bracket  
(allow 2 per metre/40")  
Anodised aluminium finish  
L31/W35.4/H45.2mm  
(L1.22/W1.39/H1.78")



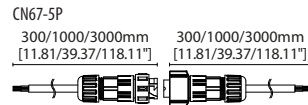
KKCR-01-1000	1000mm (39.37in)
KKCR-01-2000	2000mm (78.74in)
KKCR-01-3000	3000mm (118.11in)

Cable raceway\*  
anodised aluminium finish  
W22/H36.4mm (W0.87/H1.43")

\* Cut & drilled to fit on site



### POWER FEED



CN67-5P-0300	300mm (11.81in) pair
CN67-5P-1000	1000mm (39.37in) pair
CN67-5P-3000	3000mm (118.11in) pair

IP67

5 PIN male + female (RGBW) connector set

### EXTERIOR JUNCTION BOXES



**KKJB-07**

IP67 Slim J-Box  
(including type A,B,C,D bushings)



**KKJB-07R**

Potting resin for IP67 Slim J-Box

### KKDC CONTROL



**KKDM-06** 1-10V

visDIM dimmable sub-controller  
(4 x 8A max @ 12-36V)

IP20  
Plastic housing  
L170/W59/H29mm  
(L6.69/W2.32/H1.14in)



**KKSC-05** DMX

visDIM dimmable sub-controller  
(4 x 5A max @ 12-36V)

IP20  
Plastic housing  
L170/W53.4/H28mm  
(L6.69/W2.10/H1.10in)



**KKDL-02** DALI

visDIM dimmable sub-controller  
(4 x 8A max @ 12-36V)

IP20  
Plastic housing  
L170/W59/H29mm  
(L6.69/W2.32/H1.14in)



**KKDL-03** DALI

visDIM dimmable sub-controller  
(4 x 5A max @ 12-36V)

IP20  
Plastic housing  
L166/W53.4/H23mm  
(L6.54/W2.10/H0.91in)



### AVAILABLE PSU OPTIONS

Control Mode	PSU (Order Code)	Input Voltage AC	Output Voltage DC	Rated Output Current	Rated Power	Dim %	IP Rating
Switched	CEN-60-24	90-295V	24V	2.5A	60W	-	IP67
	HLG-60H-24	90-305V	24V	2.5A	60W	-	IP67
	HLG-100H-24	90-305V	24V	4.0A	100W	-	IP67
	HLG-150H-24	90-305V	24V	6.3A	150W	-	IP67
	HLG-240H-24	90-305V	24V	10A	240W	-	IP67
0-10V (1-10V)	PWM-40-24	90-305V	24V	1.67A	40W	100-0.15 (100-10)	IP67
	PWM-60-24	90-305V	24V	2.5A	60W	100-0.15 (100-10)	IP67
	PWM-90-24	90-305V	24V	3.67A	90W	100-0.15 (100-10)	IP67
	PWM-120-24	90-305V	24V	5.0A	120W	100-0.15 (100-10)	IP67
DALI	LIN100A1	120-277V	24V	1A per channel	100W	100-0.1	IP66/IP40
DMX RGB	LIN100A1	120-277V	24V	1.33A per channel	100W	100-0.1	IP66/IP40
DMX RGBW	LIN100A1	120-277A	24V	1A per channel	100W	100-0.1	IP66/IP40

### Flicker Free Options - Combination of PSU+ sub-controller

Control Mode	PSU (Order Code)	Sub-controller (Order Code)	Input Voltage AC	Output Voltage DC	Rated Output Current	Rated Power	Dim %	IP Rating PSU/ Sub-controller
0-10V or 1-10V	CEN-60-24	KKDM-06	90-295V	24V	2.5A	60W	100-0.9	IP67/IP20
	HLG-60H-24	KKDM-06	90-295V	24V	2.5A	60W	100-0.9	IP67/IP20
	HLG-100H-24	KKDM-06	90-295V	24V	4.0A	100W	100-0.9	IP67/IP20
	HLG-150H-24	KKDM-06	90-295V	24V	6.3A	150W	100-0.9	IP67/IP20
	HLG-240H-24	KKDM-06	90-295V	24V	10.0A	240W	100-0.9	IP67/IP20
DALI	CEN-60-24	KKDL-02/03	90-295V	24V	2.5A	60W	100-0.1	IP67/IP20
	HLG-60H-24	KKDL-02/03	90-305V	24V	2.5A	60W	100-0.1	IP67/IP20
	HLG-100H-24	KKDL-02/03	90-305V	24V	4.0A	100W	100-0.1	IP67/IP20
	HLG-150H-24	KKDL-02/03	90-305V	24V	6.3A	150W	100-0.1	IP67/IP20
	HLG-240H-24	KKDL-02/03	90-305V	24V	10.0A	240W	100-0.1	IP67/IP20
DMX RGB	CEN-60-24	KKSC-05	90-295V	24V	2.5A	60W	100-0.9	IP67/IP20
	HLG-60H-24	KKSC-05	90-305V	24V	2.5A	60W	100-0.9	IP67/IP20
	HLG-100H-24	KKSC-05	90-305V	24V	4A	100W	100-0.9	IP67/IP20
	HLG-150H-24	KKSC-05	90-305V	24V	6.3A	150W	100-0.9	IP67/IP20
	HLG-240H-24	KKSC-05	90-305V	24V	10.0A	240W	100-0.9	IP67/IP20

<sup>1</sup> The items shown above cover the most frequently used specification but does not exhaust the possible options

<sup>2</sup> PSU and/or driver can be chosen from the table, or KKDC may recommend the best option upon receipt of the controls requirement and installation environment

<sup>3</sup> Electrical shop drawing will include detailed information of PSU and relevant control drivers

<sup>4</sup> Cut sheets are available on the controls section of [www.kkdc.lighting](http://www.kkdc.lighting) or upon request